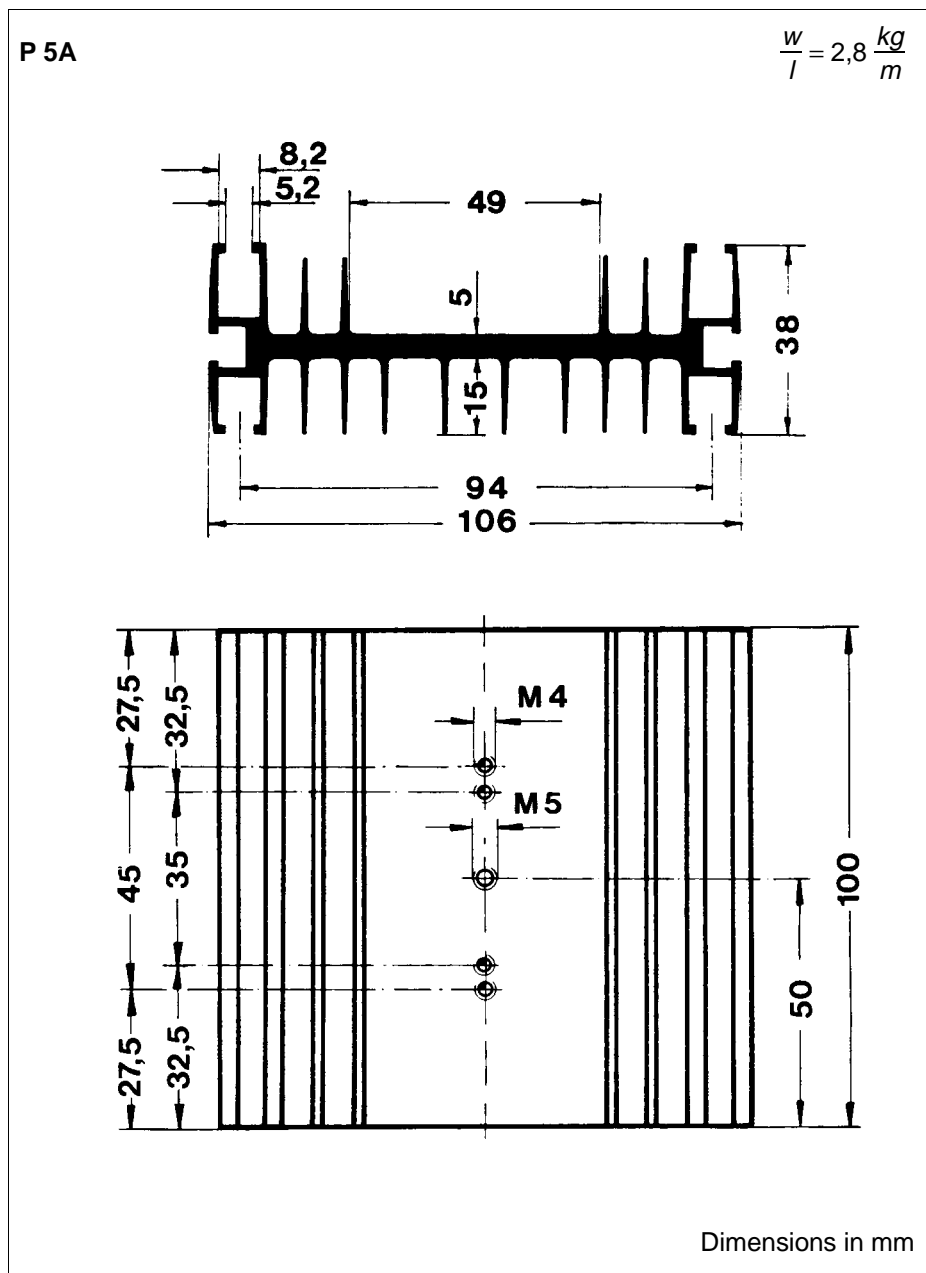
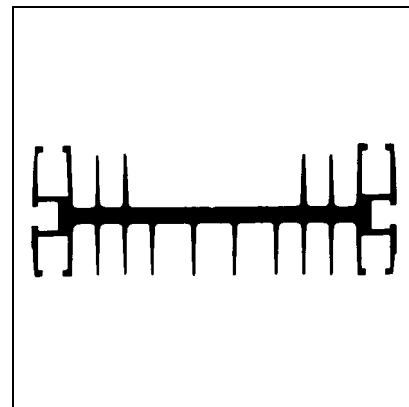


Standard lengths <sup>1)</sup>	Bridge rectifier	R <sub>thha</sub> <sup>2)</sup> natural cooling °C/W	w g
<b>P 5A/100</b>	SKB 15 SKB 25, SKD 25 SKB 30, SKD 30 SEMIPONT 1 SEMIPONT 2	1,7 (35 W) 1,55 (40 W) 1,5 (40 W) 1,5 (40 W) 1,45 (45 W)	280

**Heatsink**

**P 5A**



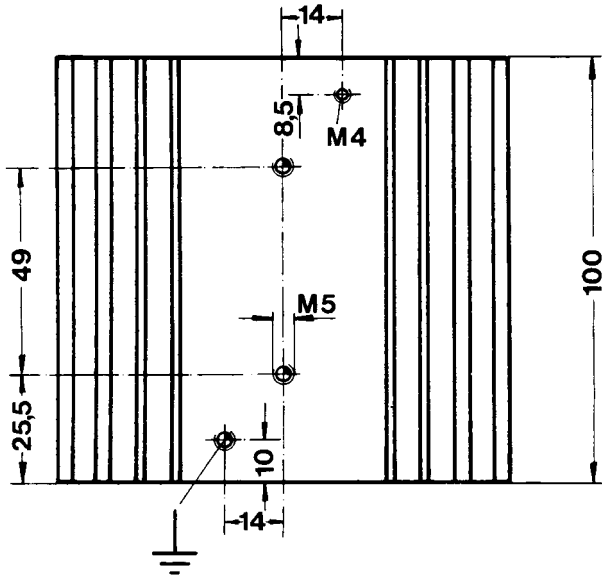
**Features**

- Intended for bridge rectifiers
- Designed for natural air cooling
- Available in various lengths
- Mounting channels are provided for additional accessories

<sup>1)</sup> Non-standard lengths available on request

<sup>2)</sup> At the given total power dissipation

**P 5A/100-49 mm**



Dimensions in mm

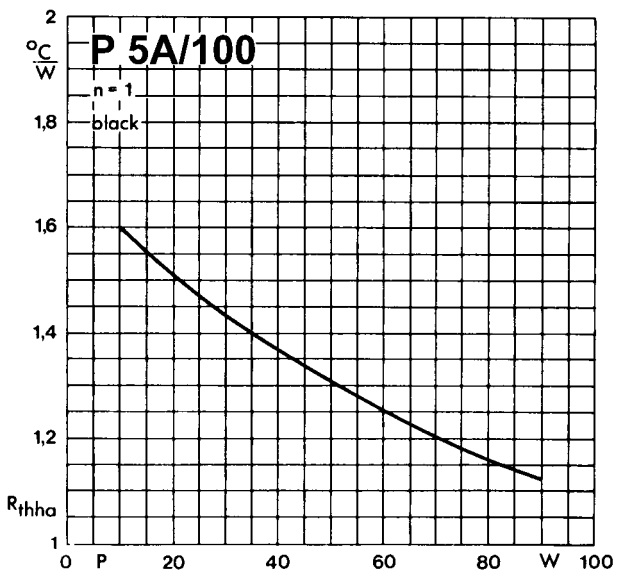


Fig. 1 Thermal resistance vs. dissipated power

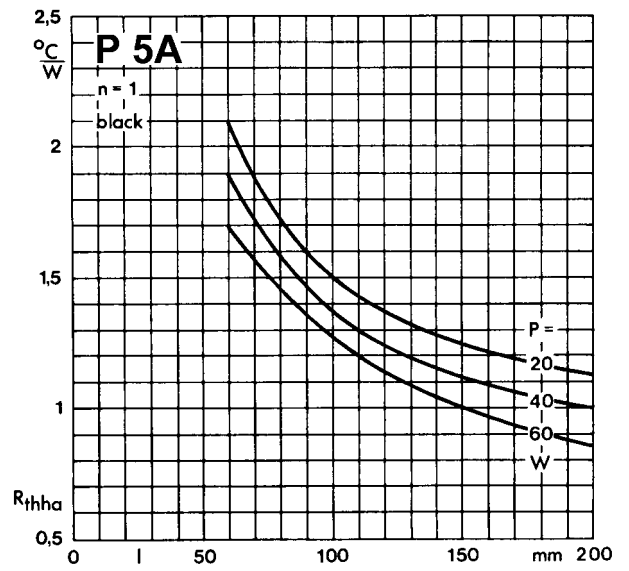


Fig. 2 Thermal resistance per component vs. length